



SPIERINGS
MOBILE CRANES

Make: SPIERINGS Type: SK498-AT4

Crane specification

R002

Serial Number

Year of Construction

Crane group : 3 as per NEN 2018
 Loadspectrum : 2 as per NEN 2018
 Classification : A as per NEN 2018
 Stability : as per NEN 2022

Max. load	Max. radius with max. load	Max. capacity	Max. jib length
8,0 ton	12,85 m	103 tm	44 m

Speed

Jib horizontal / jib 30° luffed

	m/min	kg		0 - 70 m/min
	18	8000		
	27	4000		0-0,9 rpm
	40	2000		
60	0			

All motions with hydraulic proportional controls.
 Luffing the jib 30° can be controlled from crane cab or via remote control.
 The crane should be folded down at wind force >9 (Bf) (>21m/sec) or when not in use for a longer period.

Only drive established crane with horizontal jib under special conditions (refer user guide).
 Counterweight crane: 9500 kg.
 360° continues slewing with outriggers out and down.

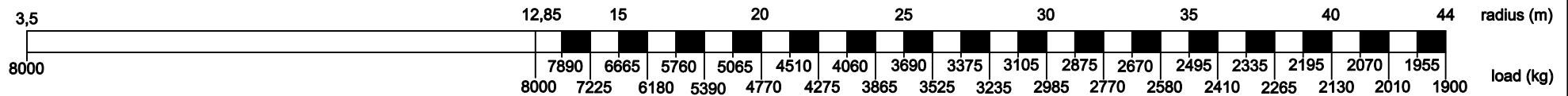
Rated lift capacity is net capacity. Always to parts of line.
 Max. line pull force: 4000 kg.
 Operating temperature range from: -15°C till +40°C.
 Sail area of the load max.: 1,0 m²/ ton.

Crane established according general regulations.
 Outrigger square : **6,925 m x 6,85 m**
 Operation allowed up to wind force 7 Bf (17 m/sec)
 Outrigger square : **6,925 m x 5,15 m**
 Operation allowed up to wind force 7 Bf (17 m/sec)
 Max. outrigger force: 360 kN

LIFTING CHART outrigger square 6,925 m x 6,85 m (up to wind force 7 on the Beaufort scale)

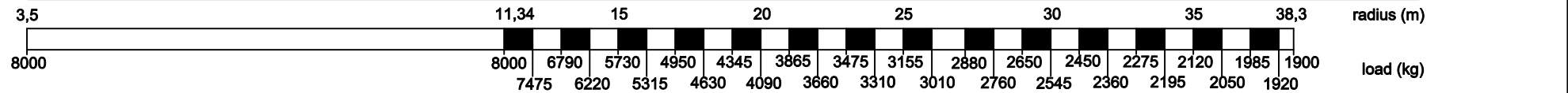
Jib horizontal

Hook height 25,3 m (height under the jib 27,3 m)



Jib 30° luffed

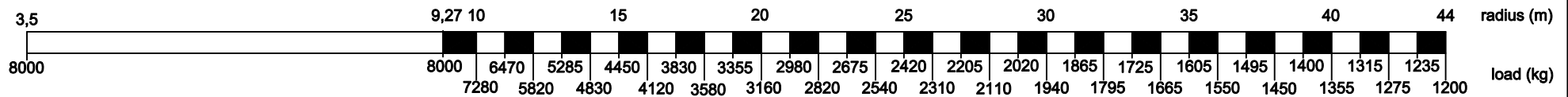
30,9 33 35,9 38,8 41,7 44,6 46,5 hook height (m)



LIFTING CHART outrigger square 6,925 m x 5,15 m (up to wind force 7 on the Beaufort scale)

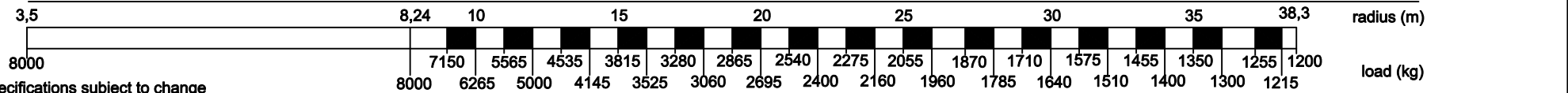
Jib horizontal

Hook height 25,3 m (height under the jib 27,3 m)

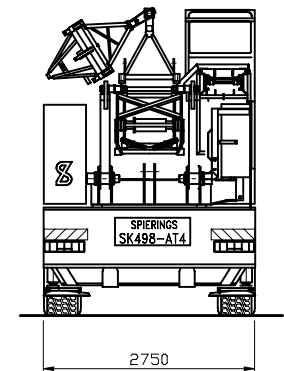
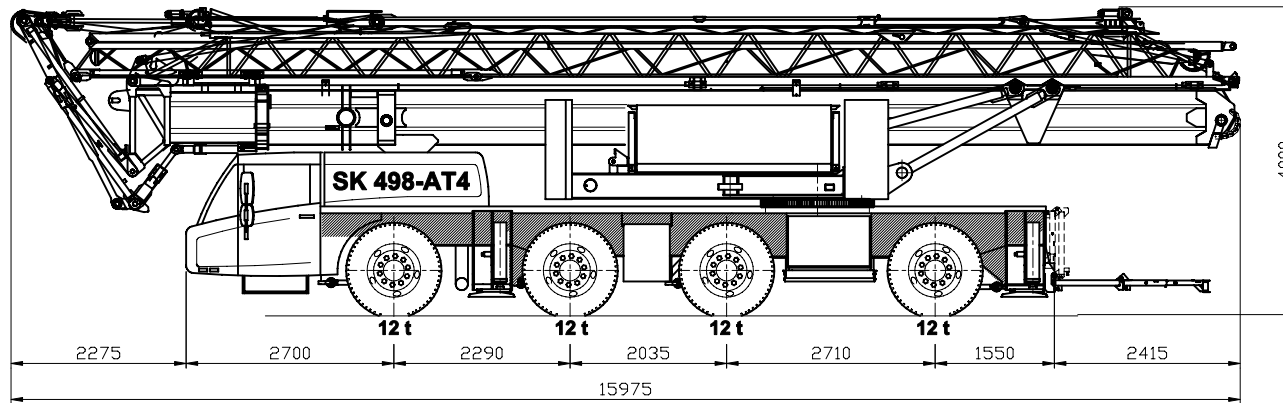
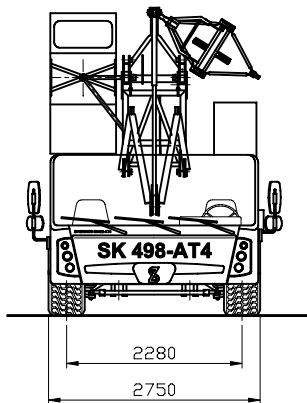
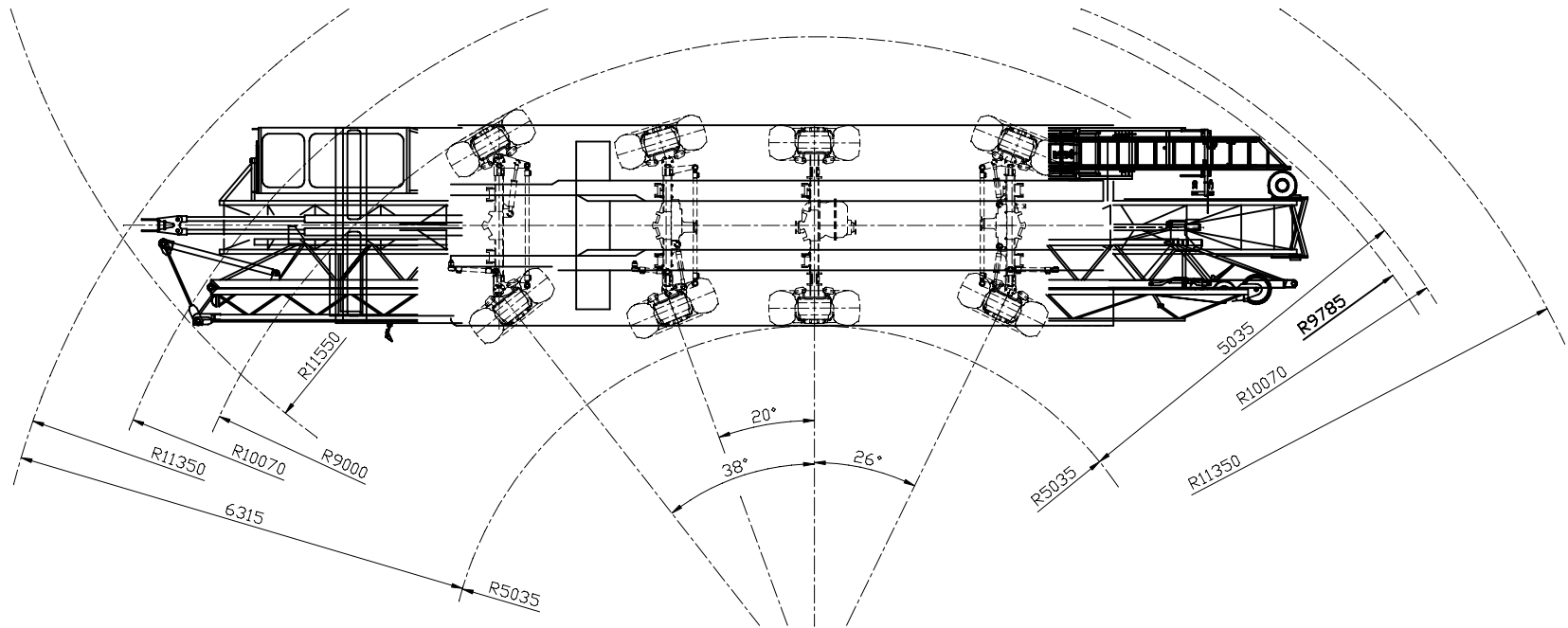


Jib 30° luffed

29,1 30,1 33 35,9 38,8 41,7 44,6 46,5 hook height (m)



Specifications subject to change



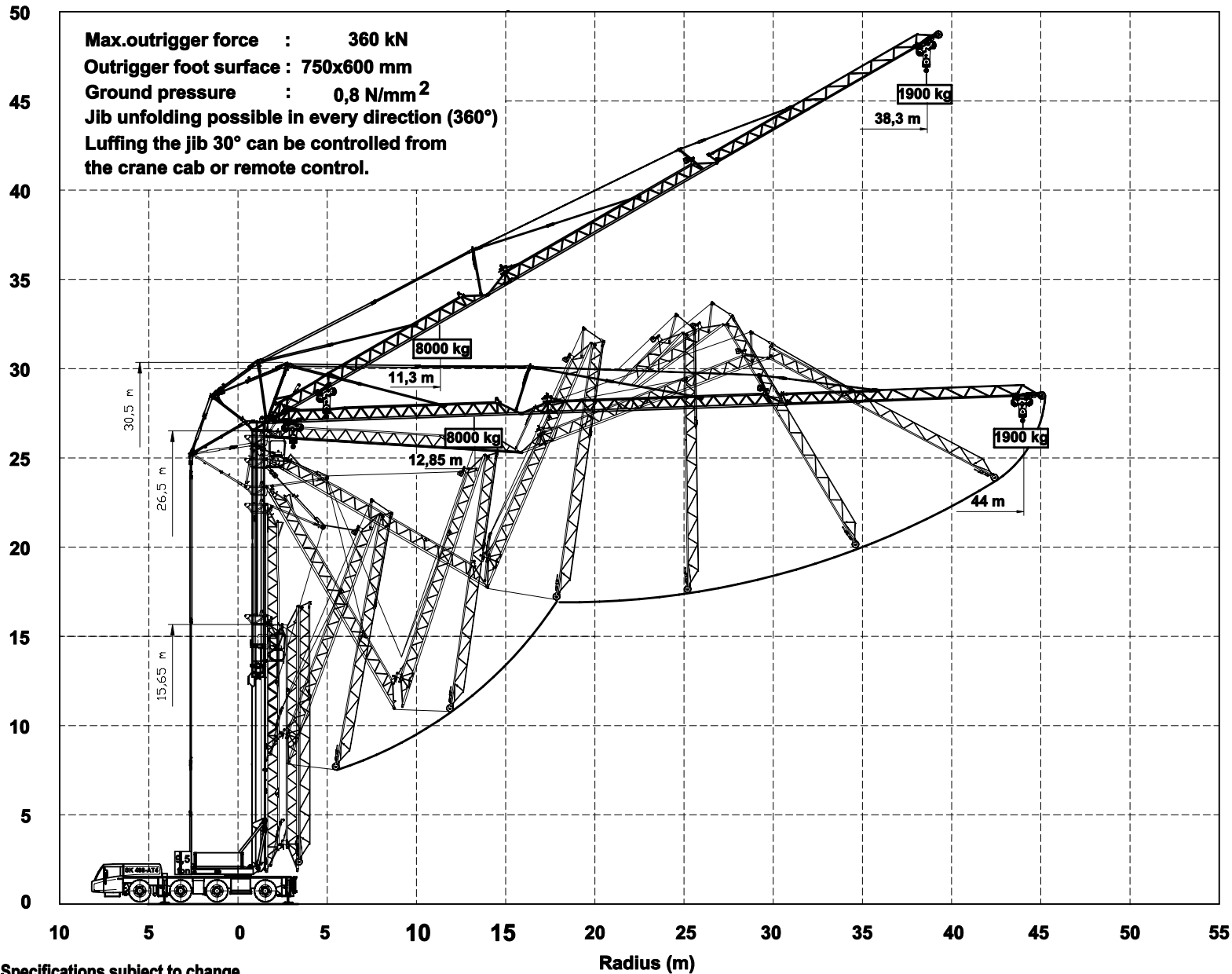
SPIERINGS HYDRAULIC FOLDING CRANE

SK 498 - AT4

Overall weight: 48000 kg

Specifications subject to change

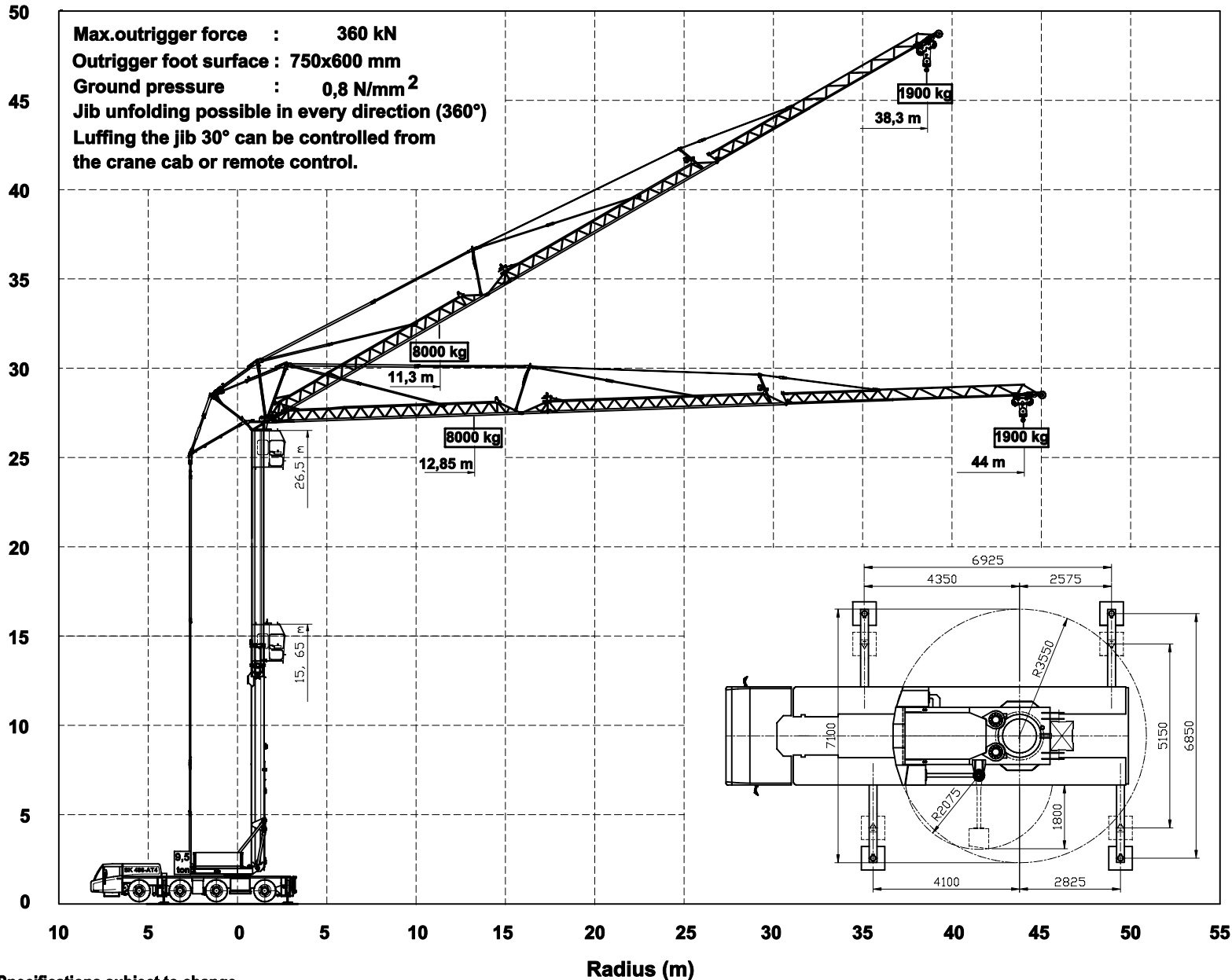

SPIERINGS
 MOBILE CRANES
 Merwedestraat 15
 5347 KZ Oss NL
 Tel. +31 (0)412-626964
 Fax +31 (0)412-645299
www.spieringscranes.com



SPIERINGS
HYDRAULIC FOLDING CRANE
SK498-AT4

SPIERINGS
MOBILE CRANES

Merwedestraat 15
 5347 KZ Oss NL
 Tel. +31 (0)412-626964
 Fax +31 (0)412-645299
 www.spieringscranes.com



LIFTINGCHART
SPIERINGS FOLDING CRANE
SK 498 - AT4

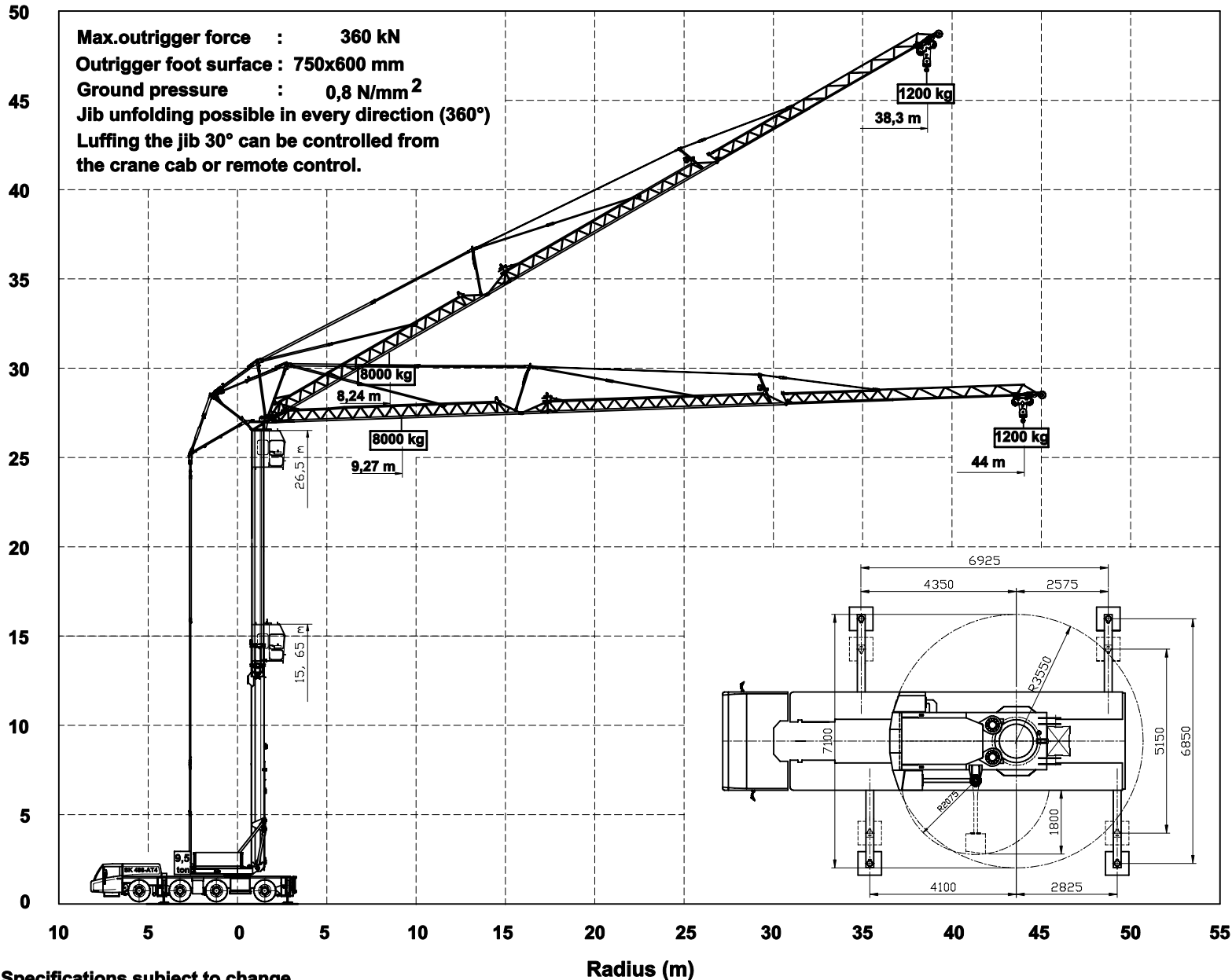
Outrigger square:
6,925 m x 6,85 m

Hook height (m)

SPIERINGS
MOBILE CRANES

Merwedestraat 15
 5347 KZ Oss NL
 Tel. +31 (0)412-626964
 Fax +31 (0)412-645299
www.spieringscranes.com

Specifications subject to change



LIFTINGCHART
SPIERINGS FOLDING CRANE
SK 498 - AT4

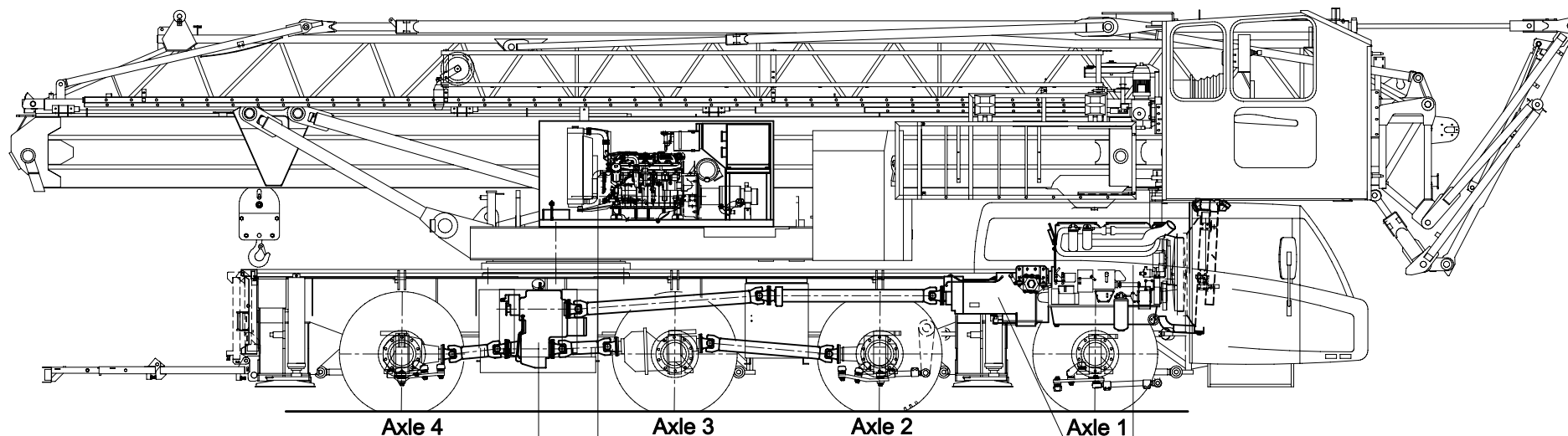
Outrigger square:
6,925 m x 5,15m

Hook height (m)



Merwedestraat 15
5347 KZ Oss NL
Tel. +31 (0)412-626964
Fax +31 (0)412-645299
www.spieringscranes.com

Specifications subject to change



Transferbox
 STEYR VG2001/396
 Road gear $i=0,89$
 Off road gear $i=1,54$

Superstructure:
 John Deere 4045HF475
 Power: 129 kW (2200 rpm)
 Torque: 700 Nm (1400 rpm)

Gearbox:
 ZF 12AS2300
 Automatic
 + Intarder

Carrier Diesel Engine :
 DAF MX300
 Power: 300 kW (1900 rpm)
 Torque: 2050 Nm (1500 rpm)

Axle 1 : Steer axle
 Axle 2 : Steer axle, driven (end reduction $i=7,29$)
 Axle 3 : Driven (end reduction $i=7,29$)
 Axle 4 : Steer axle, driven (end reduction $i=7,29$)

Tyres : 445/75 R22,5
 Suspension: hydro-pneumatic on all axles, stroke cyl. : 247 mm
 Max. speed carrier : 82 km/h
 Min. speed carrier (diesel engine 1000 rpm) : 1,6 km/h
 Overall weight : 48.000 kg.

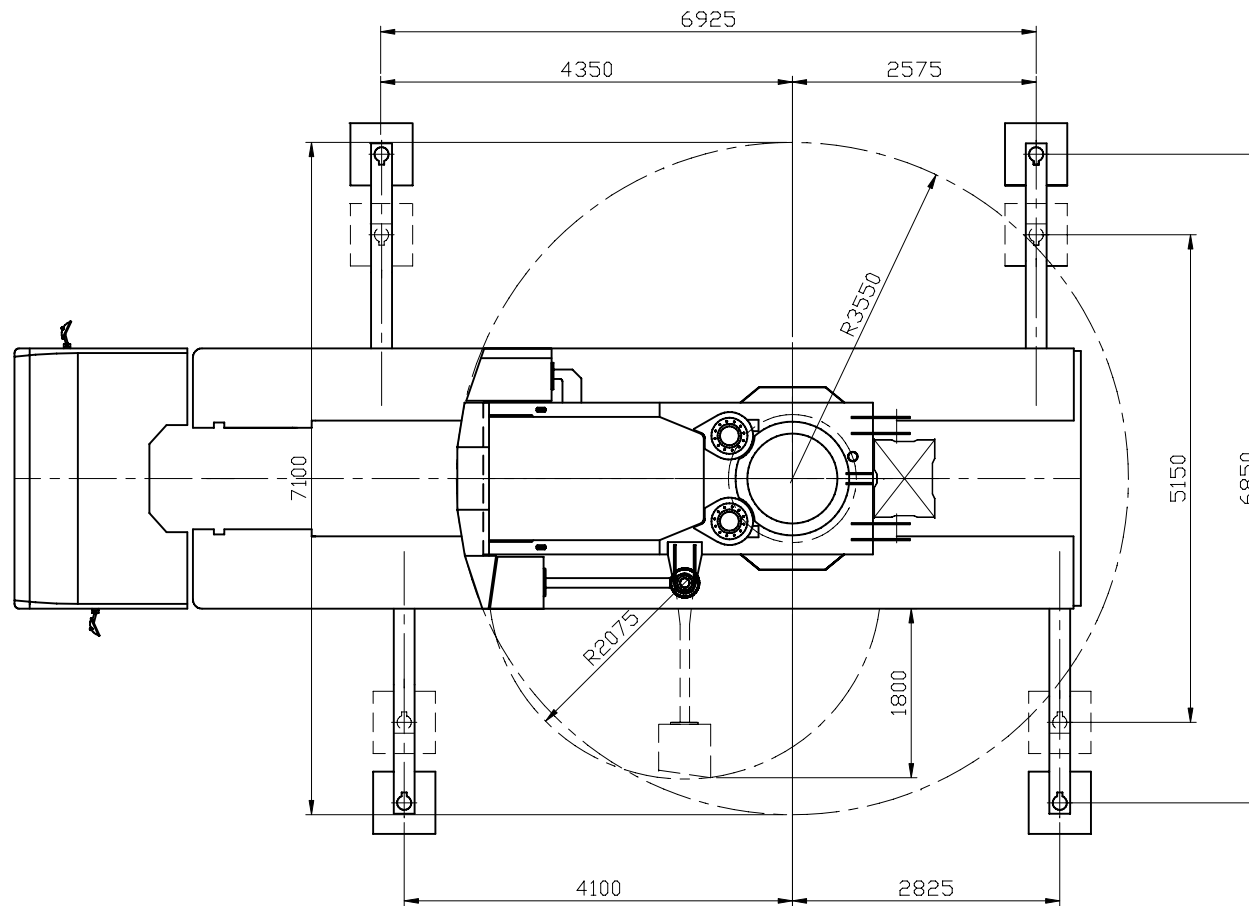
DRIVE TRAIN SPIERINGS FOLDING CRANE SK498-AT4

SPIERINGS
 MOBILE CRANES

Merwedestraat 15
 5347 KZ Oss NL
 Tel. +31 (0)412-626964
 Fax +31 (0)412-645299
 www.spieringscranes.com

**SPIERINGS FOLDING CRANE
SK 498 - AT4**

Overview outriggers



SPIERINGS
MOBILE CRANES

Merwedestraat 15
5347 KZ Oss NL
Tel. +31 (0)412-626964
Fax +31 (0)412-645299
www.spieringscranes.com